

Downlight Specification

G2SE45L1(E)

— GENIE 2S series



◎ Basic Parameters

- Material: ADC12, spraying surface
- Driver Installation: Remote
- IP grade: IP54
- CCT: 2700K,3000K,3500K,4000K optional
- CRI: 90
- SDCM(Light source): <3 Step (ANSI)
- Beam angle: 15°/24°/36° optional
- UGR(X=4H,Y=8H): $\leq 13(15^\circ/24^\circ)$, $\leq 19(36^\circ)$
- Lighting direction: Downward
- Dimming method: Non / 1-10V / DALI optional
- Input voltage: AC220-240V
- Working temperature: -15°C~30°C
- Application: Indoor
- Installation: Recessed
- Certification: CE,ROHS,Reach
- Warranty: 5 years

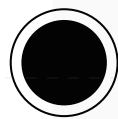


◎ Border Color

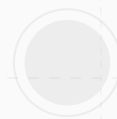


White

◎ Reflector type



Matte black



Matte white

◎ Optical Accessory



Honeycomb

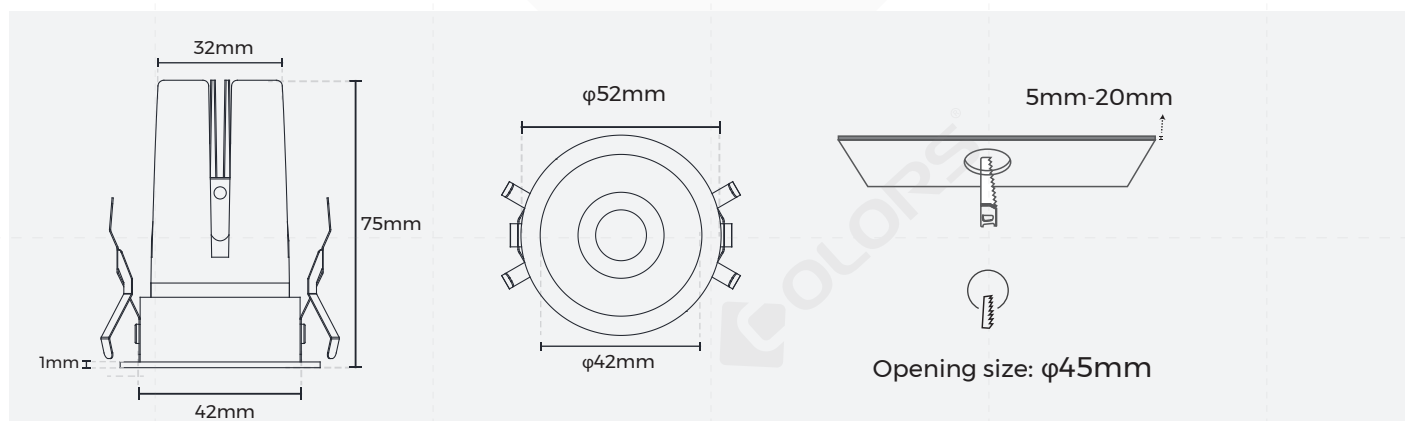


Linear Spread Filter



Diffusion Filter

◎ Product mechanical data



◎Luminaire Parameters

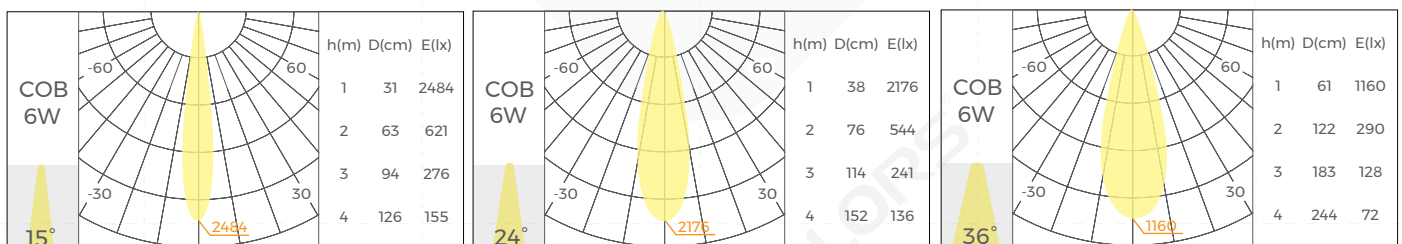
Model	Size (mm)	Opening Size (mm)	Input Voltage (V)	Input Current (A)	Type Power (W)	CRI	Beam Angle	CCT	Lumen (LM)
G2SE45L1(E)	φ52*75	φ45	DC36	0.15	6	>90	15°	2700K	305
								3000K	320
								4000K	345
G2SE45L1(E)	φ52*75	φ45	DC36	0.15	6	>90	24°	2700K	360
								3000K	380
								4000K	410
G2SE45L1(E)	φ52*75	φ45	DC36	0.15	6	>90	36°	2700K	400
								3000K	420
								4000K	450
G2SE45L1(E)	φ52*75	φ45	DC36	0.2	9	>90	15°	2700K	395
								3000K	415
								4000K	445
G2SE45L1(E)	φ52*75	φ45	DC36	0.2	9	>90	24°	2700K	480
								3000K	505
								4000K	545
G2SE45L1(E)	φ52*75	φ45	DC36	0.2	9	>90	36°	2700K	530
								3000K	560
								4000K	600

Note:

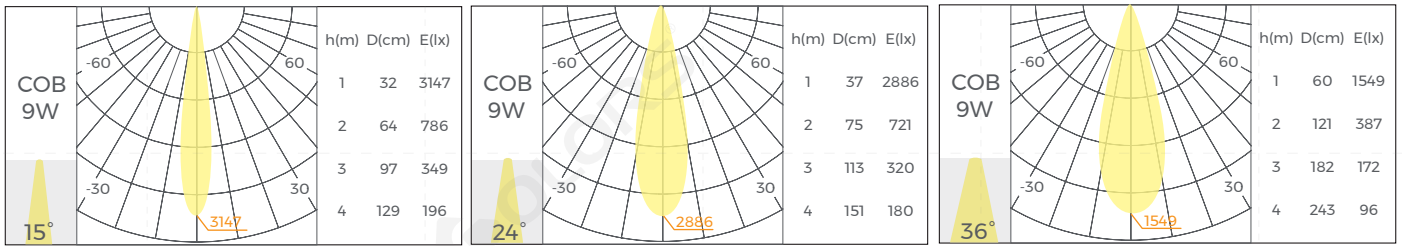
- The above parameters were tested based on Ra90, 3000K, light source;
2700K Light efficiency & Luminous flux=3000K*0.95
3500K Light efficiency & Luminous flux=3000K*1.05
4000K Light efficiency & Luminous flux=3000K*1.08
- The input voltage and input current belong to the light source.
- luminous flux is allowed to have a ±10% error range;
- The above parameters are typical values.

◎Optical Parameter

· Type Power:6W



• Type Power:9W



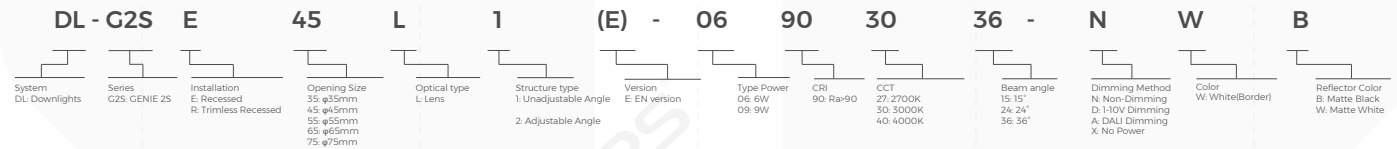
Note:

- Central light intensity value = 1 meter maximum luminous intensity value;
- N meter maximum luminous intensity value = Central light intensity value/N²;
For example: 2 meter maximum luminous intensity value = Central light intensity value/2²;

◎Packing

Model	Size (mm/box)	Quantity /box	Quantity /carton	NW (kg/box)	NW (kg/carton)	GW (kg)	Size (mm/carton)
DL-G2SE45L1(E)-06903036-NBB	168*144*100	1	48	0.21	10.1	12.36	592*519*422

◎Model Code



◎Attentions

- Non-professionals are prohibited from installing, disassembling and repairing the product.
- Avoid scratching, distortion and irregular bending of the product during installation; otherwise it may cause irreparable damage to the product.
- Please use professional cutting tools when cutting
- Do not use any acid or alkaline adhesive to fix products
- The product is only suitable for indoor dry places, can not be used in outdoor, seaside or wet environment.